

# General Specifications

Cables  
(for ProSafe-RS)



## GS 32S06M10-01E

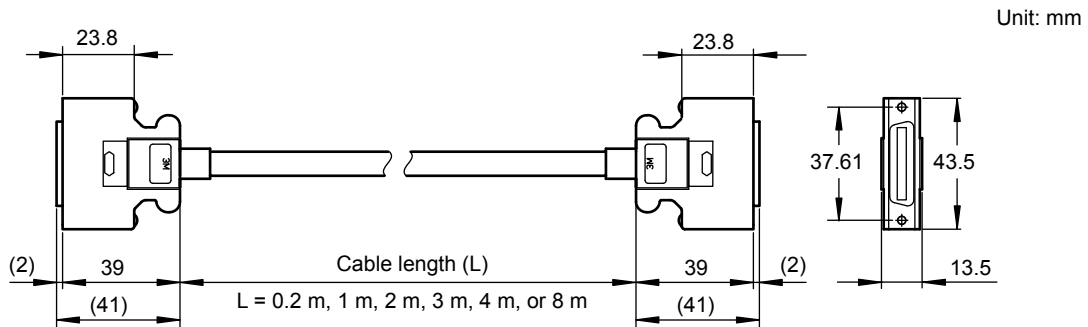
### ■ GENERAL

This GS covers the specifications for cables used in the ProSafe-RS system.

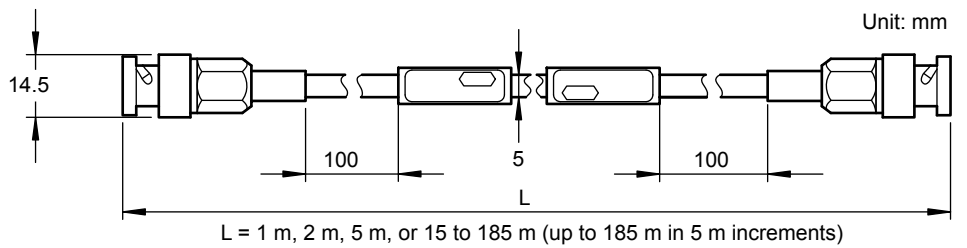
### ■ DIMENSIONS

● Cables

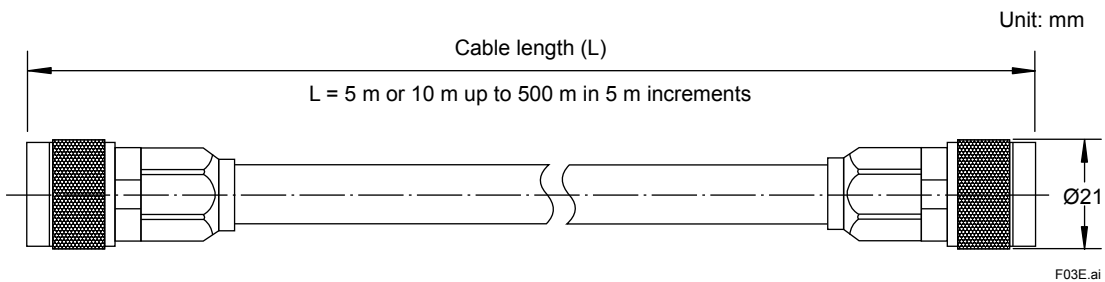
**YCB301 ESB bus cable**



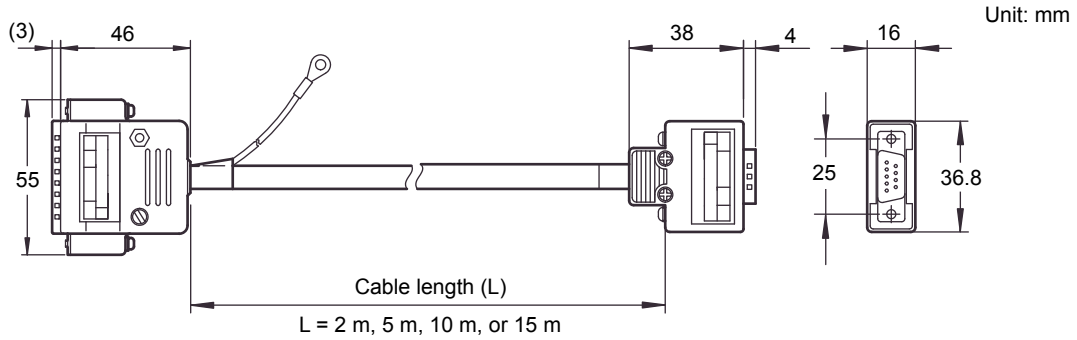
**YCB141 V net cable (10BASE-2 cable)**



**YCB111 V net cable (10BASE-5 cable)**



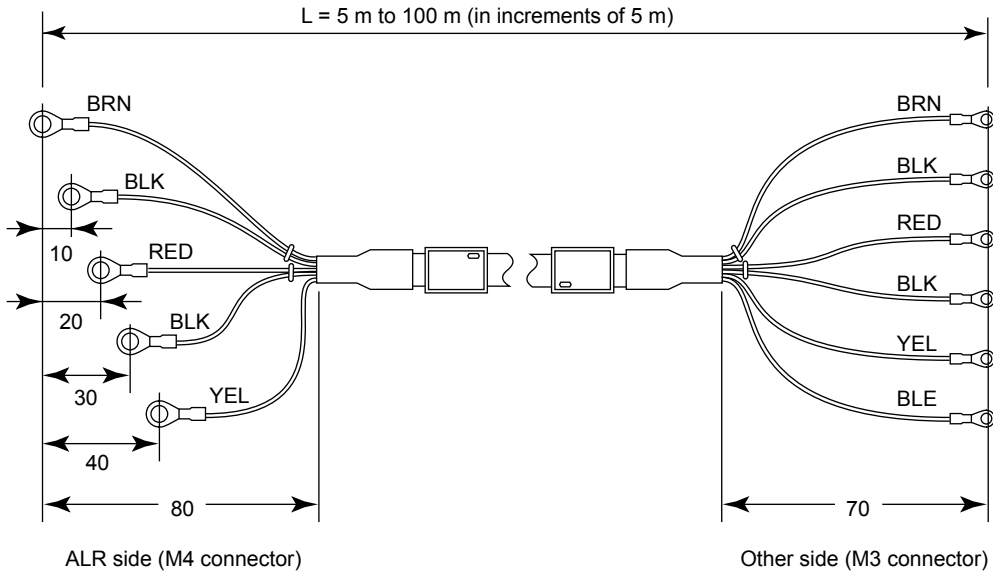
**AKB131, AKB132, AKB135, AKB136 RS-232C Cables for Start-Stop Asynchronous Communications (for ALR111 Communications Module)**



F04E.ai

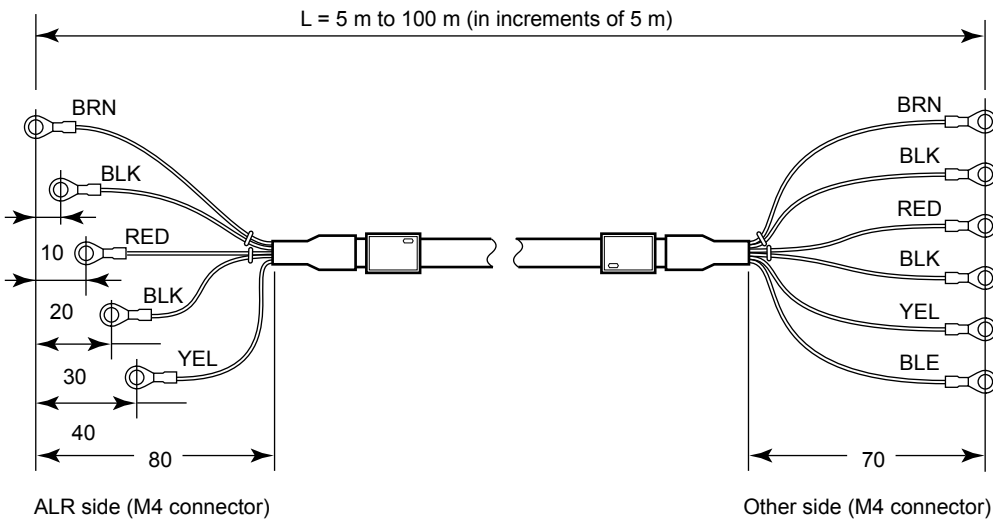
Note: An FG connection wire is attached to the other side connector of the AKB131 and AKB132 cables.

**AKB161 RS-422/RS-485 cable (for ALR121 Communications Module)**



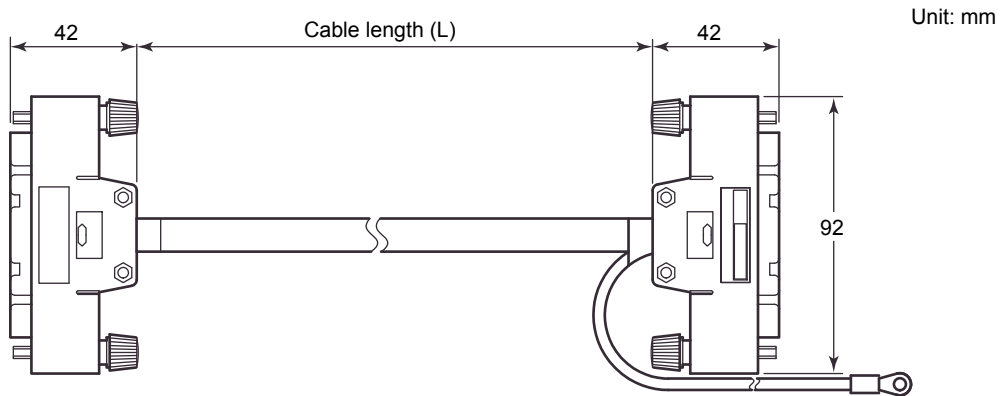
F05E.ai

**AKB162 RS-422/RS-485 cable (for ALR121 Communications Module)**



F06E.ai

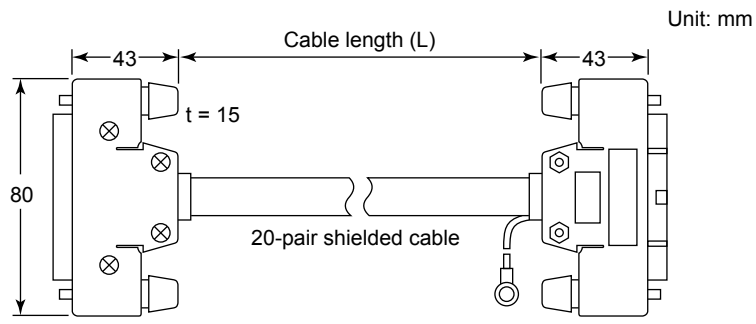
**AKB331 Signal Cable (50-50 pins)**



AKB331: L = 1 m, 2 m, 3 m, 5 m, 7 m or 10 m, up to 50 m in 5 m increments

F07E.ai

**KS1 Cable (40-40 pins)**



40 pin connector

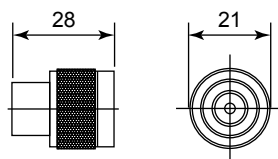
40 pin connector

KS1: L = 1 m, 2 m, 3 m, 5 m, 7 m or 10 m, up to 50 m in 10 m increments

F08E.ai

**YCB118 V net Terminator (for 10BASE-5 cable)**

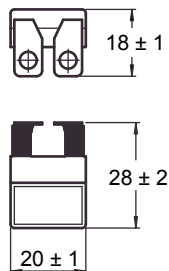
Unit: mm



F09E.ai

**YCB128 IRIG (GPS) Terminator**

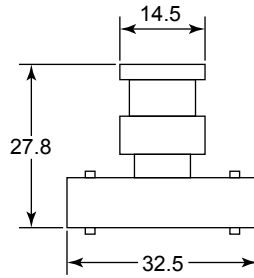
Unit: mm



F10E.ai

**YCB146 Control Bus T-shaped Connector (for SENG)**

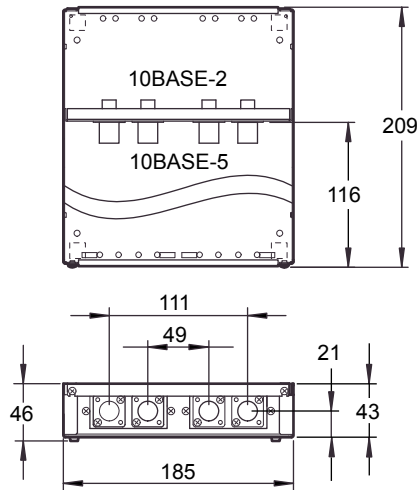
Unit: mm



F11E.ai

**YCB147 Control Bus Cable Conversion Adapter**

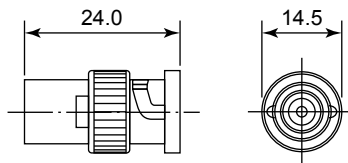
Unit: mm



F12E.ai

**YCB148 V net Terminator (for 10BASE-2 Cable)**

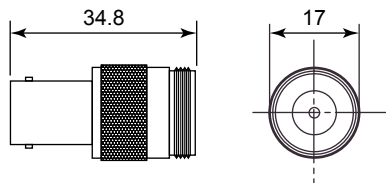
Unit: mm



F13E.ai

**YCB149 Control Bus Conversion Unit**

Unit: mm



F14E.ai

## ■ MODEL AND SUFFIX CODES

### EBS Bus Cable

		Description
<b>Model</b>	YCB301	ESB bus cable
<b>Suffix Code</b>	-C020	Length: 20 m
	-C100	Length: 1 m
	-C200	Length: 2 m
	-C300	Length: 3 m
	-C400	Length: 4 m
	-C800	Length: 8 m

### V net Cable

		Description
<b>Model</b>	YCB141	V net cable (10BASE-2)
<b>Suffix Code</b>	-M001	Length: 1 m
	-M002	Length: 2 m
	-M005	Length: 5 m
	-M010	Length: 10 m
	-M □□□	For more than 10 meters, enter multiples of 5 in the □□□ (the cable comes in 5-m increments). Maximum length: 185 m (suffix code: -M185)

### Extended V net Cable

		Description
<b>Model</b>	YCB111	V net cable (10BASE-5)
<b>Suffix Code</b>	-M003	Length: 2.5 m
	-M005	Length: 5 m
	-M008	Length: 7.5 m
	-M □□□	For more than 10 meters, enter multiples of 5 in the □□□ (the cable comes in 5-m increments). Maximum length: 500 m (suffix code: -M500)

### Control Bus Conversion Unit

		Description
<b>Model</b>	YCB149	Control Bus Conversion Unit

### Control Bus Cable Conversion Adapter

		Description
<b>Model</b>	YCB147	Control bus cable conversion adapter
<b>Suffix Code</b>	-2	Two connectors
	-4	Four connectors
<b>Option Code</b>	/BR	General-purpose rack mounting

### RS-232C Modem Cable (for connection between ALR111 and modem)

		Description
<b>Model</b>	AKB131	For connecting RS circuit isolated devices; RS-232C modem cable for start-stop asynchronous communications (9-25 pins)(for connection between ALR111 and modem)
<b>Suffix Code</b>	-M002	Length: 2 m
	-M005	Length: 5 m
	-M010	Length: 10 m
	-M015	Length: 15 m

### RS-232C Null Modem Cable (for connection between ALR111 and RS-232C device)

		Description
<b>Model</b>	AKB132	RS-232C null modem cable for start-stop asynchronous communications (9-25 pins)(for connection between ALR111 and RS-232C device)
<b>Suffix Code</b>	-M002	Length: 2 m
	-M005	Length: 5 m
	-M010	Length: 10 m
	-M015	Length: 15 m

### RS-232C Modem Cable (for connection between ALR111 and modem)

		Description
<b>Model</b>	AKB135	RS-232C modem cable for start-stop asynchronous communications (9-25 pins)(for connection between ALR111 and modem)
<b>Suffix Code</b>	-M002	Length: 2 m
	-M005	Length: 5 m
	-M010	Length: 10 m
	-M015	Length: 15 m

### RS-232C Null Modem Cable (for connection between ALR111 and RS-232C device)

		Description
<b>Model</b>	AKB136	RS-232C null modem cable for start-stop asynchronous communications (9-25 pins)(for connection between ALR111 and RS-232C device)
<b>Suffix Code</b>	-M002	Length: 2 m
	-M005	Length: 5 m
	-M010	Length: 10 m
	-M015	Length: 15 m

**Signal Cables**

		Description
<b>Model</b>	AKB331	Signal cable (50-50 pins) (for connections between SDV144 and terminal board and between SDV531 and terminal board)
<b>Suffix Code</b>	-M001	Length: 1 m
	-M002	Length: 2 m
	-M003	Length: 3 m
	-M005	Length: 5 m
	-M007	Length: 7 m
	-M010	Length: 10 m
	-M015	Length: 15 m
	-M020	Length: 20 m
	-M025	Length: 25 m
	-M030	Length: 30 m
	-M035	Length: 35 m
	-M040	Length: 40 m
	-M045	Length: 45 m
	-M050	Length: 50 m
<b>Option Code</b>	/SDV144	Special cable for SDV144 (for ProSafe-RS)
	/SDV531	Special cable for SDV531 (for ProSafe-RS)
	/SDV541	Special cable for SDV541 (for ProSafe-RS)

Note: A mechanism to prevent wrong type I/O module insertion is supported. When you select option code /SDV144, SDV531 and /SDV541, the same model I/O module with /PRP prevention pin of false insertion option can be used. For example, AKB331-M003/SDV144 can be used only with SDV144 that have /PRP prevention pin of false insertion option.

		Description
<b>Model</b>	AKB161	RS-422/RS-485 cable Used between ALM side (M4 terminal) and other side (M3 terminal)
<b>Suffix Code</b>	-M □□□	Enter multiples of 5 in the □□□ (the cable comes in 5-m increments). Maximum length: 100 m (suffix code: -M100)

		Description
<b>Model</b>	AKB162	RS-422/RS-485 cable Used between ALR side (M4 terminal) and other side (M4 terminal)
<b>Suffix Code</b>	-M □□□	Enter multiples of 5 in the □□□ (the cable comes in 5-m increments). Maximum length: 100 m (suffix code: -M100)

		Description
<b>Model</b>	KS1	Signal cable (40-40 pins)
<b>Suffix Code</b>	-01	Length: 1 m
	-02	Length: 2 m
	-03	Length: 3 m
	-05	Length: 5 m
	-07	Length: 7 m
	-10	Length: up to 10 m
	-20	Length: up to 20 m
	-30	Length: up to 30 m
	-40	Length: up to 40 m
-50	Length: up to 50 m	
<b>Style Code</b>	*B	Style B
<b>Option Code</b>	/SAI143	Special cable for SAI143 (for ProSafe-RS)
	/SAI533	Special cable for SAI533 (for ProSafe-RS)
	/SAV144	Special cable for SAV144 (for ProSafe-RS)

Note: A mechanism to prevent wrong type I/O module insertion is supported. When you select option code /SAI143, SAI533 and /SAV144, the same model I/O module with /PRP prevention pin of false insertion option can be used. For example, KS1-03/SAI143 can be used only with SAI143 that have /PRP prevention pin of false insertion option.

		Description
<b>Model</b>	YCB118	V net terminator (for 10BASE-5 cable)

		Description
<b>Model</b>	YCB148	V net terminator (for 10BASE-2 cable)

		Description
<b>Model</b>	YCB128	Terminator for IRIG (GPS)

		Description
<b>Model</b>	YCB146	T-shaped control bus connector (for SENG)

## ■ APPLICABLE STANDARDS

### ● Standards for Hazardous Location Equipment

Model	FM Non-Incendive	Type n
YCB301	✓	✓
YCB141	✓	✓
YCB111	—	—
AKB131	✓	✓
AKB132	✓	✓
AKB135	✓	✓
AKB136	✓	✓
AKB161	✓	✓
AKB162	✓	✓
AKB331	✓	✓
KS1	✓	✓
YCB118	—	—
YCB128	✓	✓
YCB146	—	—
YCB147	—	—
YCB148	✓	✓
YCB149	—	—

✓: Certified      —: Non certified

## ■ ORDERING INFORMATION

Specify the model and suffix codes when ordering.

## ■ TRADEMARKS

- ProSafe is a registered trademark of Yokogawa Electric Corporation.
- Other company and product names appearing in this document are trademarks or registered trademarks of their respective holders.