

General Specifications

GS 33M50Q20-40E

Models AFS10S, AFS10D
AFG10S, AFG10D
Field Control Unit
Duplexed Field Control Unit
(for RIO, 19" Rack Mountable Type)



■ GENERAL

This GS covers the hardware specifications of the Field Control Unit (FCU) which is the processor of the Field Control Station (FCS).

■ HARDWARE SPECIFICATIONS

For the installation specifications and the environmental conditions common to the systems, refer to "System Overview (GS 33M01A10-40E)."

Processor

VR5432 (133 MHz)

Main Memory Capacity

AFS10S, AFS10D: 16 Mbyte
AFG10S, AFG10D: 32 Mbyte

Memory Protection During Power Failure

Battery
Battery Back-up for Main Memory: Max. 72 hours
Battery Recharge Time: Min. 48 hours

FCU Status Contact Output

2 terminals (NC, C)
Contact Points open during FCU failure
Contact Rating: 30 V DC, max. 0.3 A

Communication Interface

V net Interface: Dual-redundant
RIO bus interface: Dual-redundant or Single

No. of Nodes Connectable

Max. 8 Nodes

Power Supply

(specify with Suffix Codes)
Voltage: 100-120 V AC, Frequency: 50/60 Hz
Voltage: 220-240 V AC, Frequency: 50/60 Hz
Voltage: 24 V DC

Power Consumption

100-120 V AC: 250 VA (AFS10S, AFG10S)
400 VA (AFS10D, AFG10D)
220-240 V AC: 250 VA (AFS10S, AFG10S)
410 VA (AFS10D, AFG10D)
24 V DC: 4.5 A (AFS10S, AFG10S)
8 A (AFS10D, AFG10D)

Weight

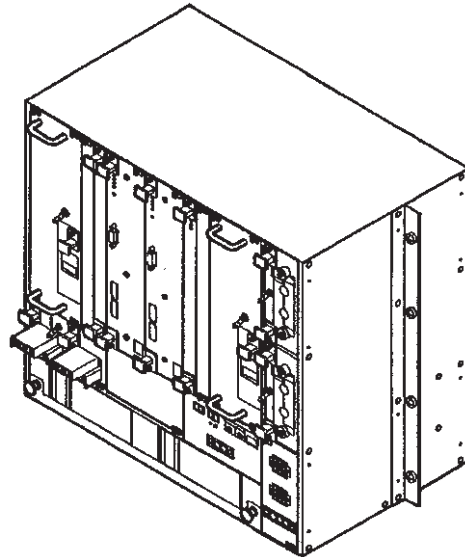
Approx. 19 kg (AFS10S, AFG10S)
Approx. 25 kg (AFS10D, AFG10D)

Mounting

19" Rack Mounting:
Rack mount (8xM5 screws)
Insulation bush (accessory)

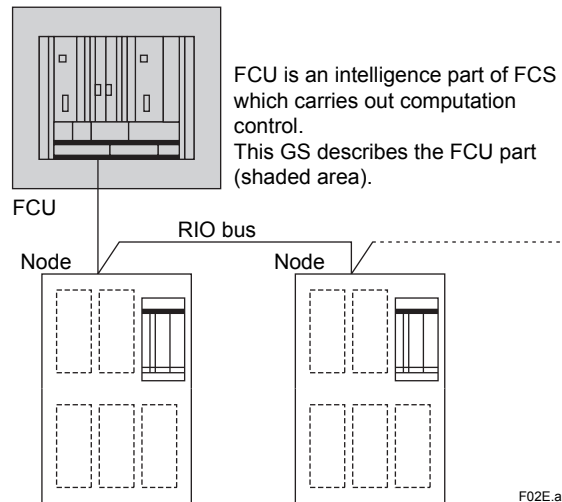
Connection

Power Supply: M4 screw terminal connection
Grounding: M4 screw terminal connection
Contact Output: M4 screw terminal connection



[19" Rack Mountable Type FCU]

The FCS consists of the Field Control Unit (FCU) and nodes, and the RIO bus to connect them together.



FCU is an intelligence part of FCS which carries out computation control. This GS describes the FCU part (shaded area).

F02E.ai

Regulatory Compliance

For the detailed information of following standards, see Integrated Production Control System CENTUM VP System Overview (GS 33M01A10-40E).

Safety Standards

[CSA] (for 100-120 V AC power supply)

[CE Mark] (for 220-240 V AC power supply)

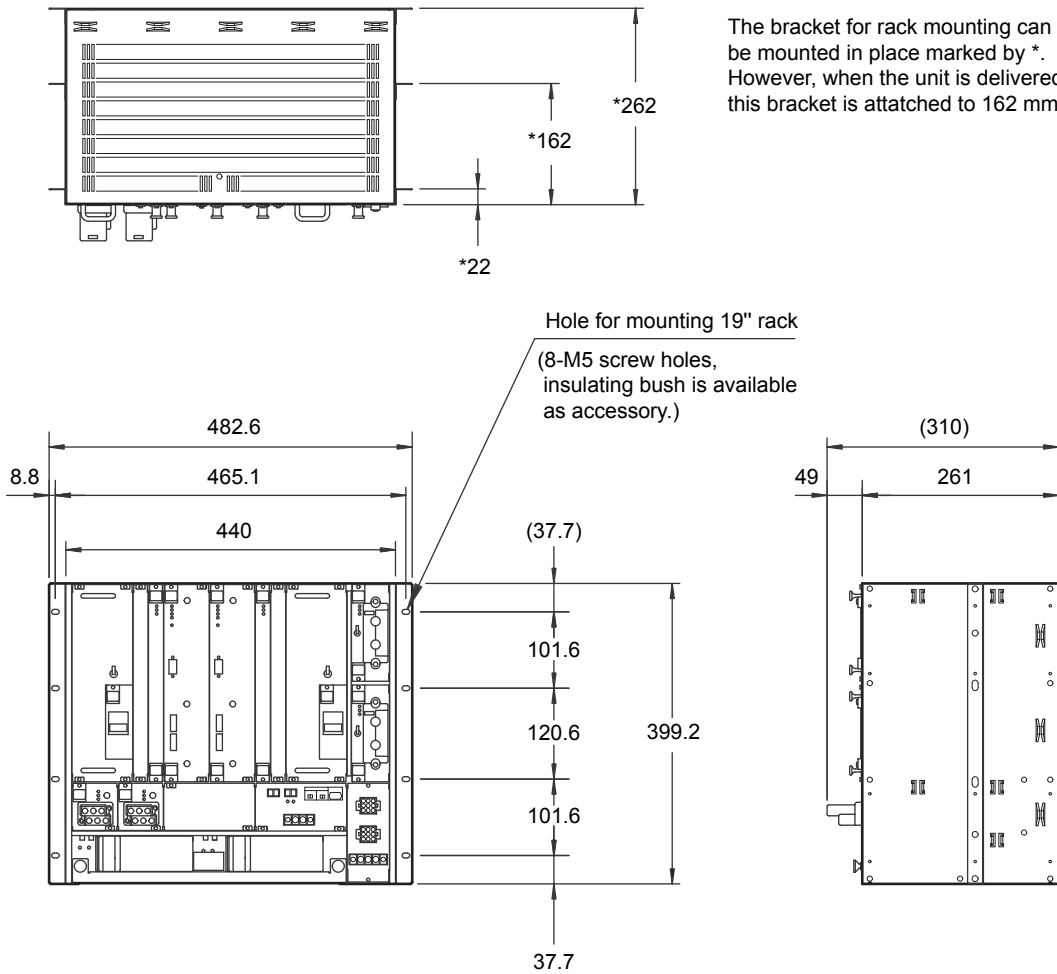
EMC Conformity Standards

[CE Mark] (for 220-240 V AC and 24 V DC power supply)

[C-Tick Mark] (for 220-240 V AC and 24 V DC power supply)

EXTERNAL DIMENSIONS

Unit : mm



The bracket for rack mounting can be mounted in place marked by *. However, when the unit is delivered alone, this bracket is attached to 162 mm position.

(Note) The figure is an example for AFG10D and AFS10D.
 The number of cards or units installed in AFG10S and AFS10S are different from those in AFG10D and AFS10D.
 Otherwise, the external dimensions are the same.

F03E.ai

■ MODELS AND SUFFIX CODES

Field Control Unit (19" Rack Mountable Type)

| | | Description |
|---------------------|---|---|
| Model | AFS10S | Field Control Unit (for RIO, 19" Rack Mountable Type, Capacity Enhanced Type) |
| Suffix Codes | -H | Standard Type (Main memory 16 Mbyte) |
| | 2 | Dual-Redundant V net, Single RIO bus |
| | 4 | Dual-Redundant V net, Dual-Redundant RIO bus |
| | 1 | Always 1 |
| | 1 | 100-120 V AC Power Supply |
| | 2 | 220-240 V AC Power Supply |
| | 4 | 24 V DC Power Supply |
| 3 | LFS1100 Basic software license for Control Function for Standard Field Control Station (for RIO, for CP345) | |

Duplexed Field Control Unit (19" Rack Mountable Type)

| | | Description |
|---------------------|--------|---|
| Model | AFS10D | Duplexed Field Control Unit (for RIO, 19" Rack Mountable Type) |
| Suffix Codes | -H | Standard Type (Main Memory 16 Mbyte) |
| | 4 | Dual-Redundant V net, Dual-Redundant RIO bus |
| | 1 | Always 1 |
| | 1 | 100-120 V AC Power Supply |
| | 2 | 220-240 V AC Power Supply |
| | 4 | 24 V DC Power Supply (*2) |
| | 3 | LFS1100 Basic software license for Control Function for Standard Field Control Station (for RIO, for CP345) |

Field Control Unit (19" Rack Mountable Type)

| | | Description |
|---------------------|--------|---|
| Model | AFG10S | Field Control Unit (for RIO, 19" Rack Mountable Type) |
| Suffix Codes | -H | Standard Type (Main Memory 32 Mbyte) |
| | 2 | Dual-Redundant V net, Single RIO bus |
| | 4 | Dual-Redundant V net, Dual-Redundant RIO Bus |
| | 1 | Always 1 |
| | 1 | 100-120 V AC power supply |
| | 2 | 220-240 V AC power supply |
| | 4 | 24 V DC power supply |
| | 3 | LFS1130 Basic software license for Control Function for Enhanced Field Control Station (for RIO, for CP345) |

Duplexed Field Control Unit (19" Rack Mountable Type)

| | | Description |
|---------------------|--------|---|
| Model | AFG10D | Duplexed Field Control Unit (for RIO, 19" Rack Mountable Type) |
| Suffix Codes | -H | Standard Type (Main Memory 32 Mbyte) |
| | 4 | Dual-Redundant Vnet, Dual-Redundant RIO Bus |
| | 1 | Always 1 |
| | 1 | 100-120 V AC power supply |
| | 2 | 220-240 V AC power supply |
| | 4 | 24 V DC power supply |
| | 3 | LFS1130 Basic software license for Control Function for Enhanced Field Control Station (for RIO, for CP345) |

■ SOFTWARE REQUIREMENT

For AFS10S and AFS10D, LFS1100 Control Function for Standard Field Control Station (for RIO) is required, and for AFG10S and AFG10D, LFS1130 Control Function for Enhanced Field Control Station (for RIO) is required. Specify these control functions with suffix code.

For the specifications of LFS1100 and LFS1130, refer to GS 33M15J10-40E and GS 33M15J20-40E, respectively.

■ ACCESSORIES AND SPARE PARTS

The spare parts listed below are provided with the FCU.

| Parts Names | Parts Numbers | Description | Quantity | Remarks |
|-----------------|---------------|---------------------------|----------|-----------|
| Insulating bush | S9049PM | – | 8 | Accessory |
| Fuse | S9528VK | 1.6 A 125 V Fast blow (F) | 1 | Spare |
| Filter | T9070CK | – | 1 | Spare |
| Clamp filter | A1193MN | – | 1 | Accessory |

■ ORDERING INFORMATION

Specify model and suffix code.

■ TRADEMARK

- CENTUM is a registered trademark of Yokogawa Electric Corporation.
- Other company and product names appearing in this document are trademarks or registered trademarks of their respective holders.